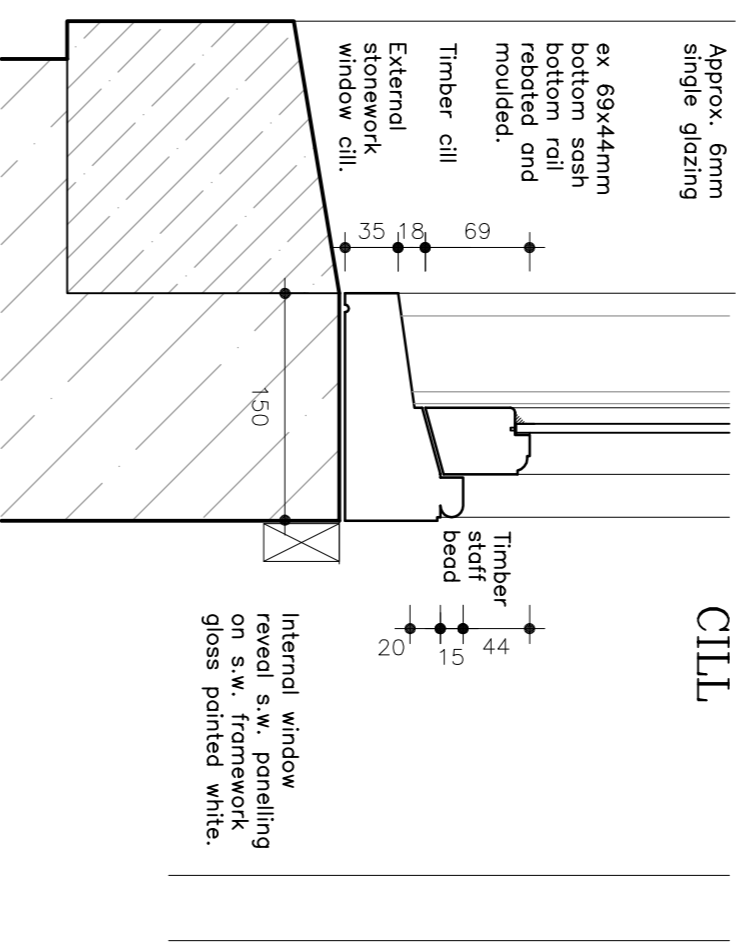
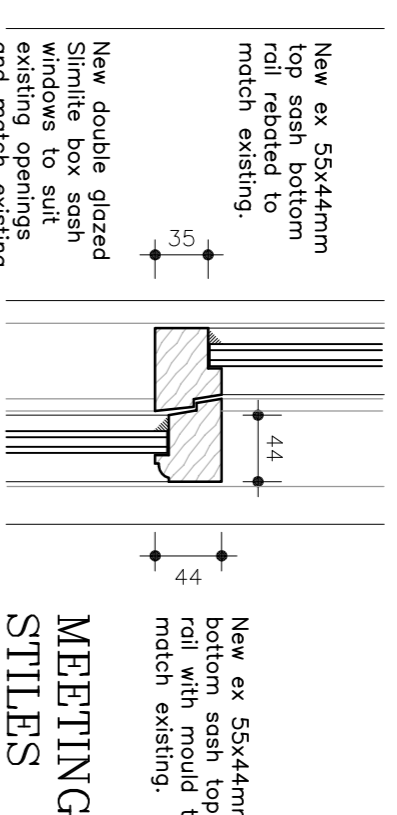
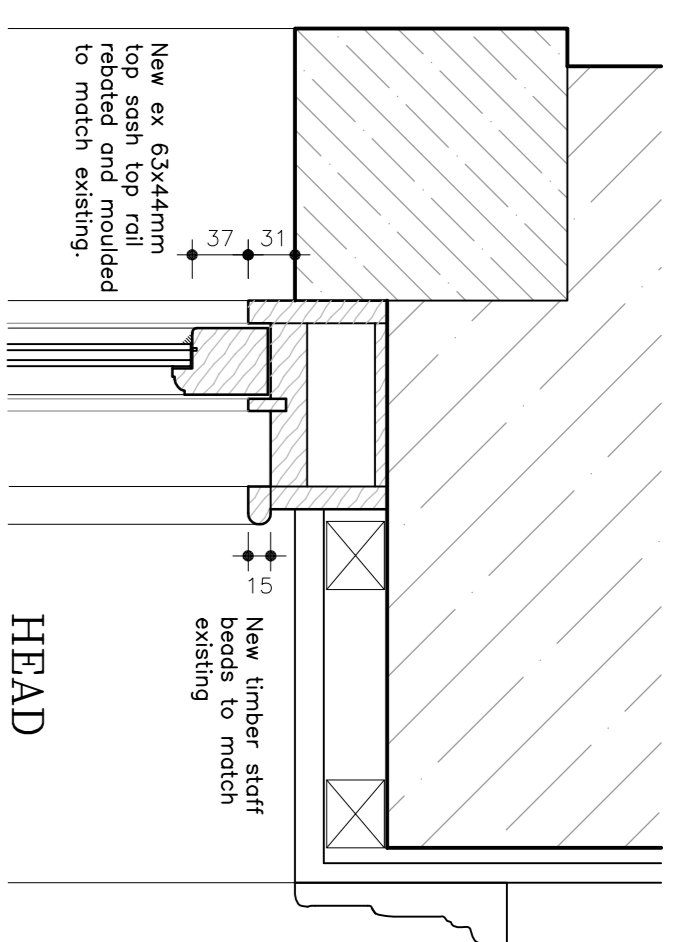


15 50 8 50 25

CILL

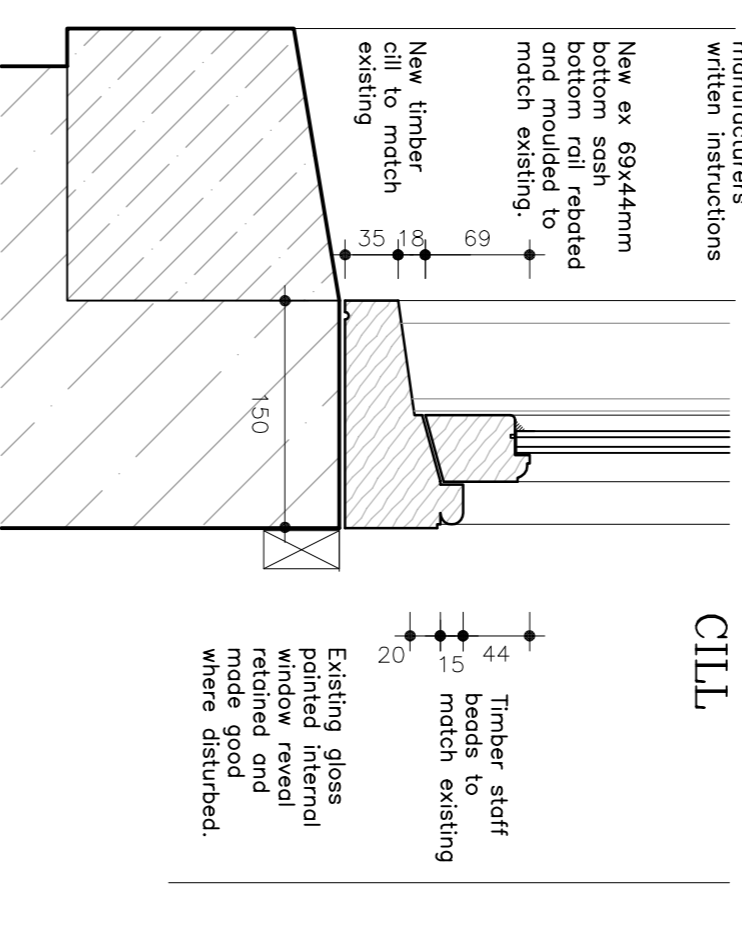


WINDOW DETAIL A  
EXISTING scale 1:5

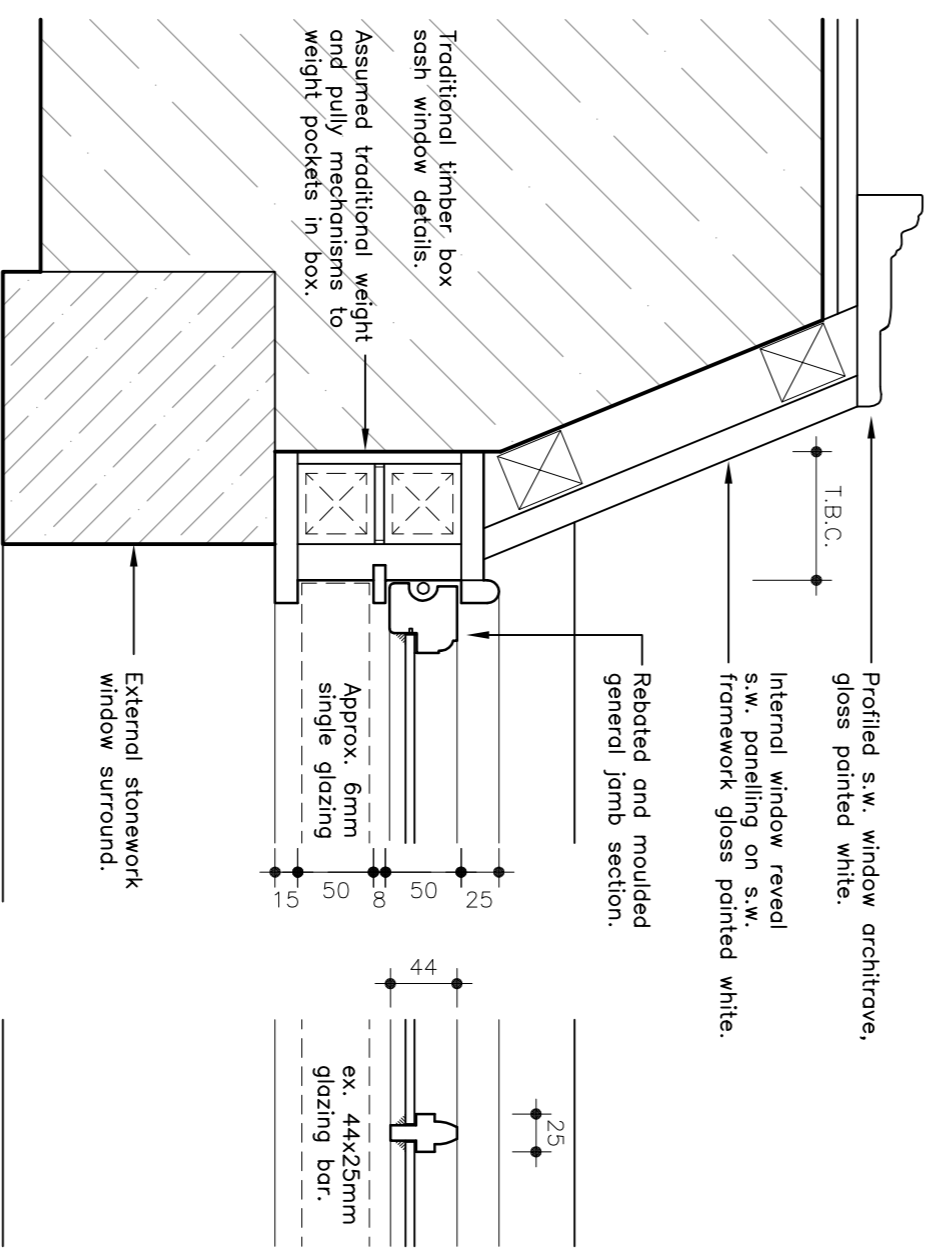


15 50 8 50 25

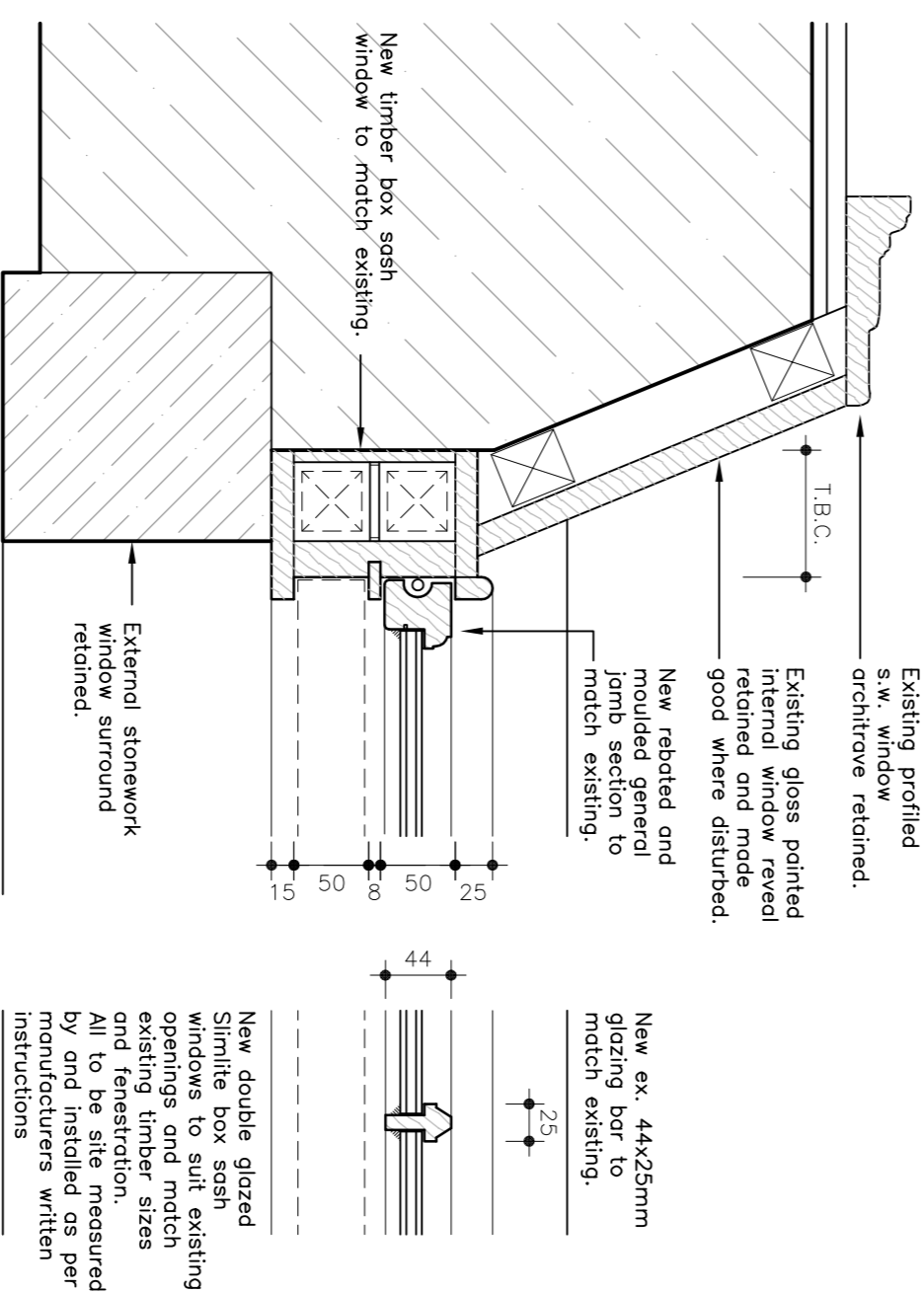
CILL



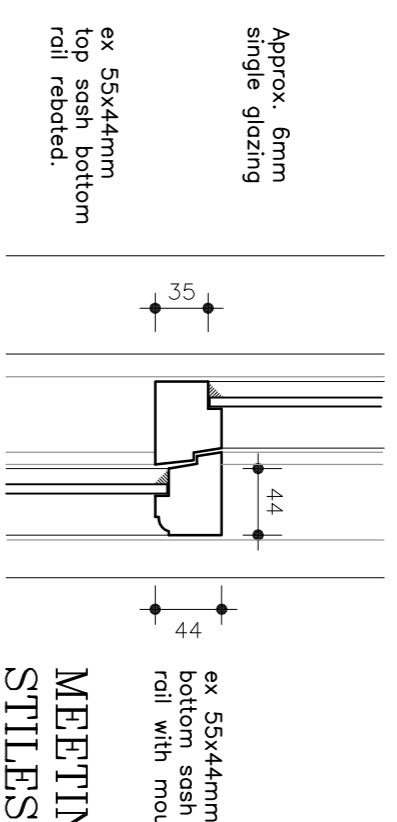
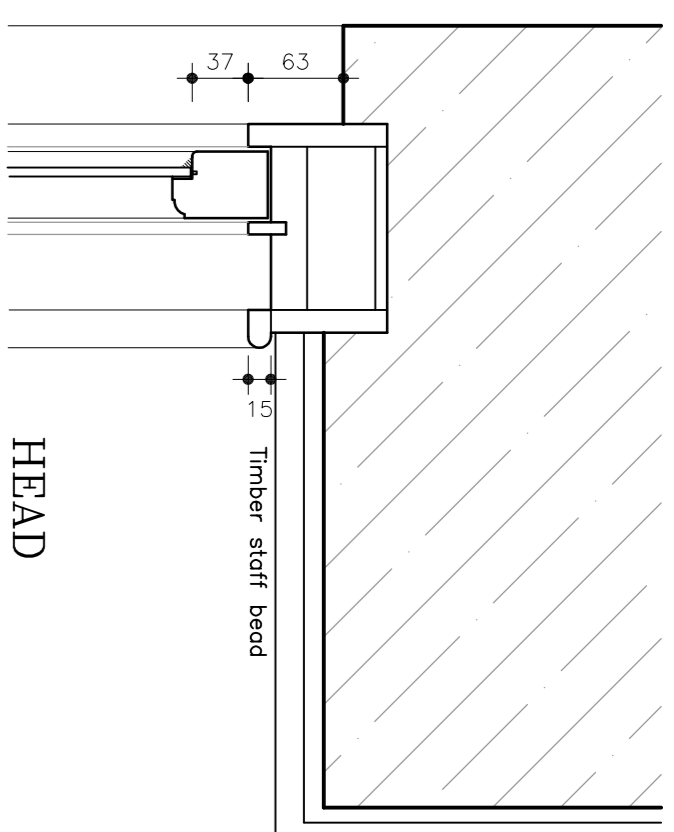
WINDOW DETAIL A  
PROPOSED scale 1:5



TYPICAL WINDOW JAMB DETAIL A  
EXISTING scale 1:5

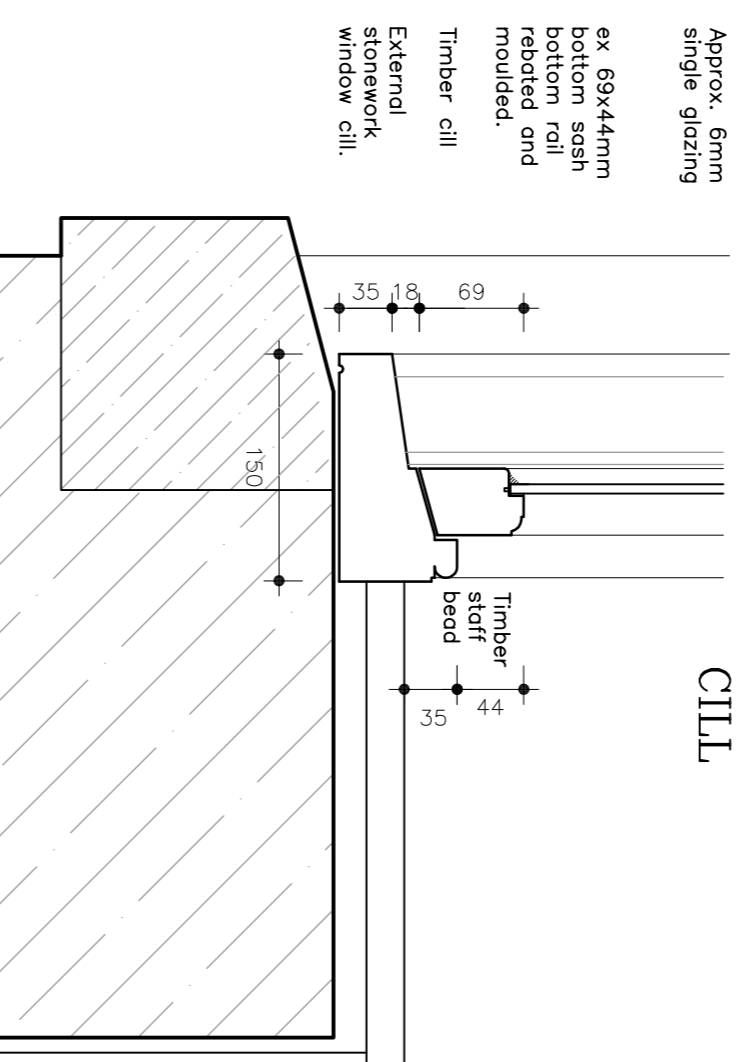


TYPICAL WINDOW JAMB DETAIL A  
PROPOSED scale 1:5

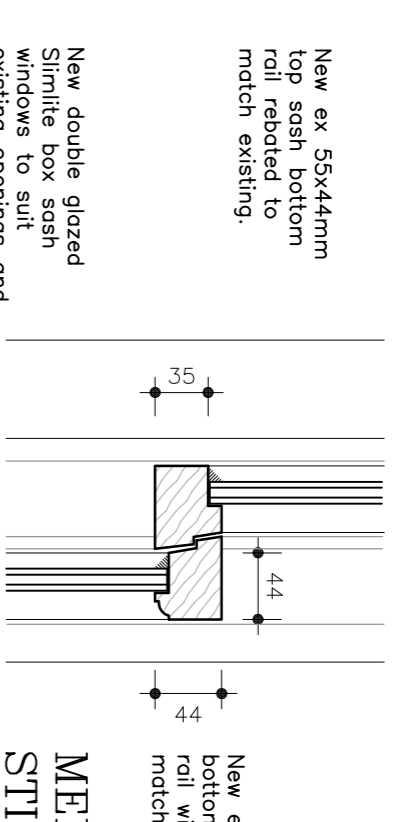
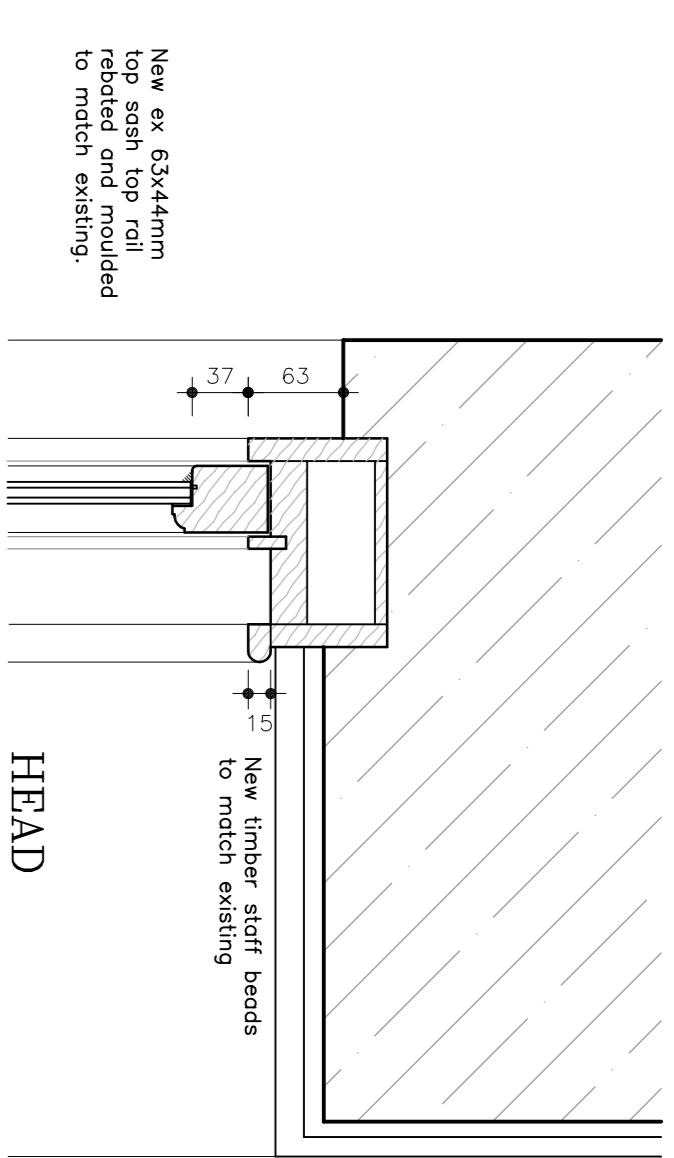


15 50 8 50 25

CILL

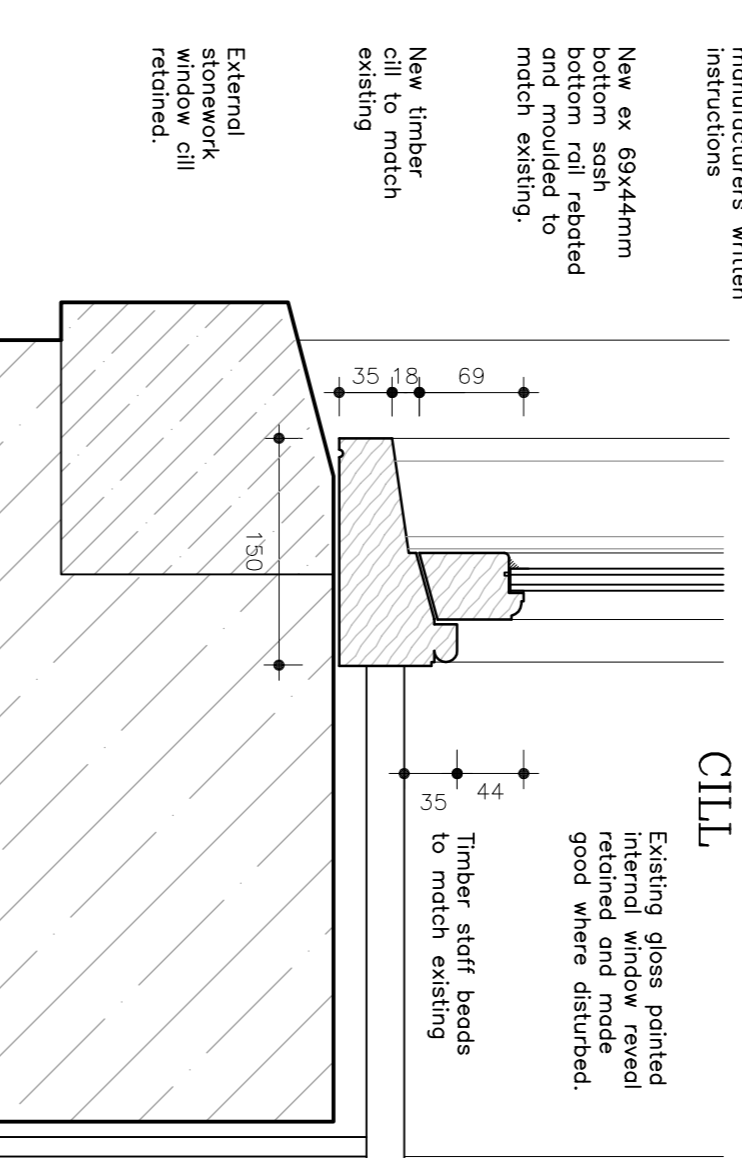


WINDOW DETAIL B  
EXISTING scale 1:5

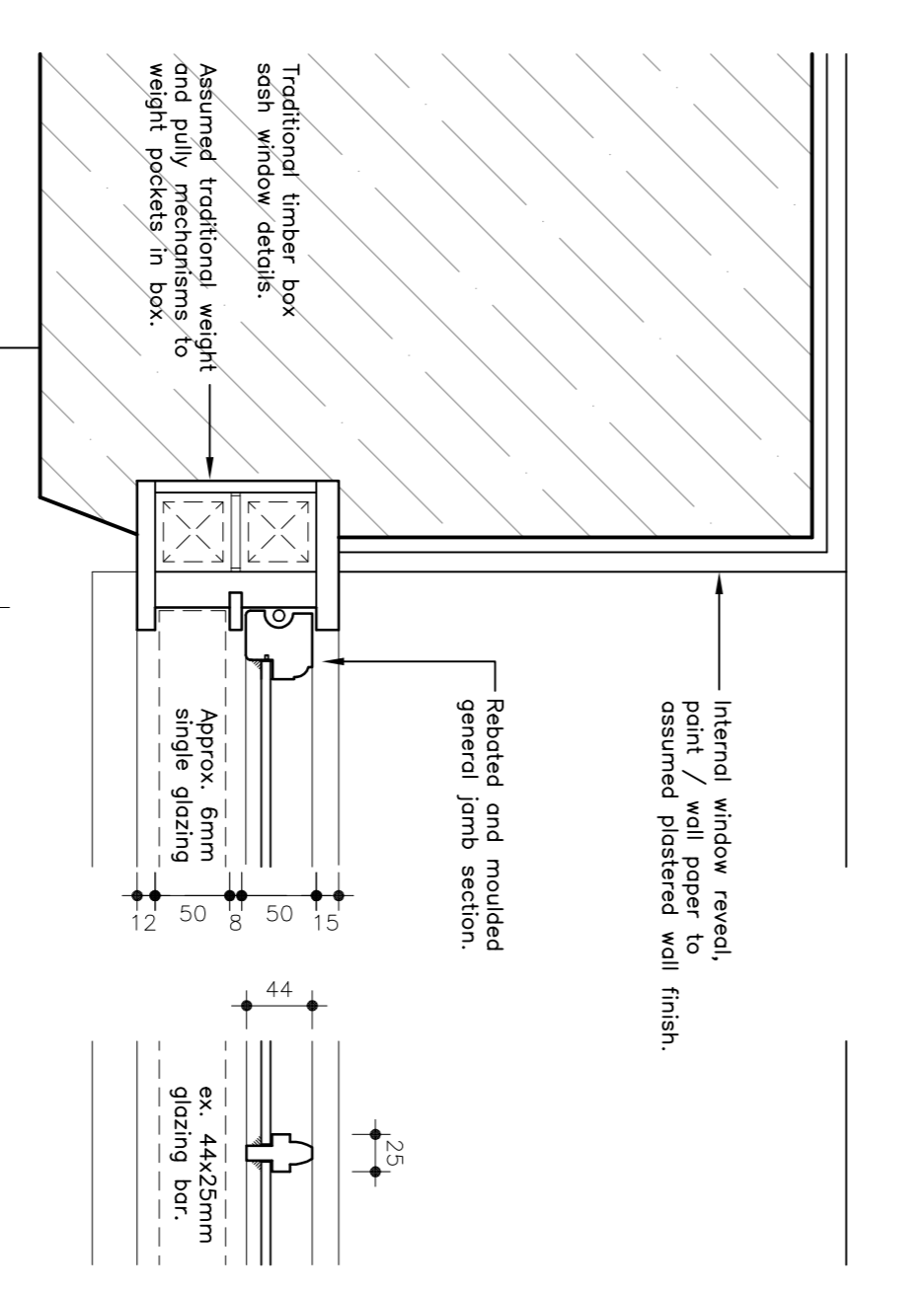


15 50 8 50 25

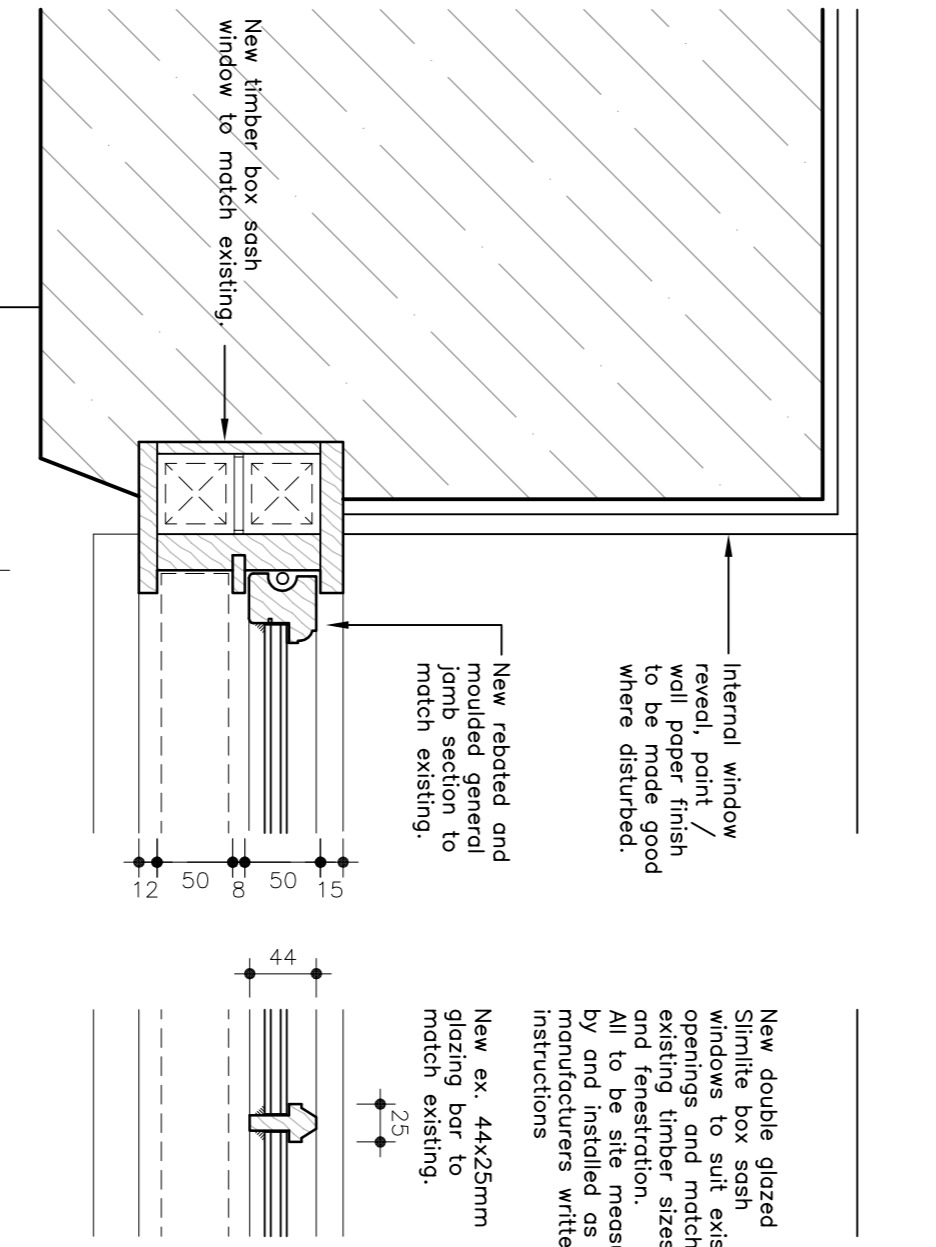
CILL



WINDOW DETAIL B  
PROPOSED scale 1:5



WINDOW JAMB DETAIL B  
EXISTING scale 1:5



WINDOW JAMB DETAIL B  
PROPOSED scale 1:5

REVISION B : 22 MAY 2015  
TITLE BLOCK REVISED TO BE PLANNING DRAWING ISSUE.

REVISION A : 24 MARCH 2015  
ADDITIONAL WINDOWS TO BE REPLACED AS REQUESTED BY CLIENT. DRAWINGS LAYOUT  
REVISED TO S.M.

AS  
Do not scale. All setting out dimensions to be site confirmed prior to works commencing  
and any discrepancies confirmed to architect. This drawing is to be read in conjunction  
with all other architectural and structural engineers drawings.

planning dwg issue

		<p>Dixon Dawson Chartered Architects The Old Rectory Maine Park Road Oxshott, Reading RG2 9JH Tel: 0118 888 8277 110911 388 8245 www.dixondawson.co.uk E: duriham@dixondawson.co.uk</p>	
<p>PROPOSED REFURBISHMENT &amp; REPLACEMENT WINDOWS, THE RECTORY, 51 FRONT STREET, WHITBURN, SR6 7JD, for MR &amp; MRS ARMSTRONG</p>			
<p>PROPOSED WINDOW DETAILS A-A &amp; B-B PROPOSED WINDOW DETAILS A-A &amp; B-B</p>		<p>1:5 1:5</p>	
Date:	02/03/15	Drawn:	A.S.
Checked:	S.R.R.	Sheet:	A.1
		<p>8380/05B</p>	